



MWVP SERIES

Micro Weighing Scale

- High Accuracy
- Auto Blue Backlighting (up to 80 hours continuous use)
- Total of 8 Weighing Units (g, ct, lb, oz, GN, ozt, cwt, tl)
- Counting, Weighing, Percentage Function Modes
- RS-232 Serial Interface (to PC or printer)
- Wind Shield Included



Auxiliary LCD Display



Round Pan Version with Wind Shield

LABORATORY WEIGHING SOLUTION

Other Highlights

- Built-in Rechargeable Battery
- Overload Alarm Function
- Auto Power Off Function
- Auto Span Calibration and Auto Zero Tracking

Options

- USB Interface
- Auxiliary LCD Display



Northland
165 Dent St, Whangarei 0110
P.O. Box 1193, Whangarei 0140
Ph: (09) 438 7096
Fax: (09) 438 7097

Auckland
52A Cavendish Dr, Manukau City 2104
P.O. Box 17 249, Greenlane 1546
Ph: (09) 263 7225
Fax: (09) 263 7226

Hamilton
22 Northway St, Te Rapa 3200
P.O. Box 10 366, Te Rapa 3241
Ph: (07) 849 3432
Fax: (07) 849 3477

Wellington
34 Sydney St, Petone 5012
P.O. Box 38 639, Wellington Mail Centre
Lower Hutt 5045
Ph: (04) 587 0105 Fax: (04) 566 1569

Christchurch
100A Hayton Rd,
Wigram 8042
Ph: (03) 341 1324
Fax: (03) 341 8907

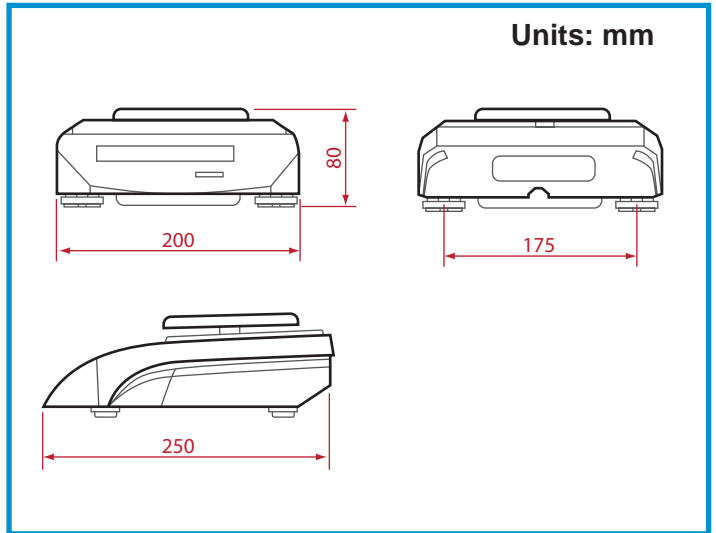


MWP SERIES Micro Weighing Scale

Large Platter



Dimensions



Specifications

MODEL	MWP-N	MWP-H
Resolution	1/30,000	1/60,000
Capacities	150g x 0.005g, 300g x 0.01g, 600g x 0.02g, 1,500g x 0.05g, 3,000g x 0.1g	300g x 0.005g, 600g x 0.01g, 1,200g x 0.02g, 3,000g x 0.05g
Application Modes	Weighing, Counting and Percentage (%)	
Display	6-Digit LCD (40mm x 95mm) with Backlighting	
Operating Temperature	0°C ~ +40°C	
Power Source	AC Adaptor 12V 500mA, Internal Rechargeable Lead Acid Battery	
Battery Life	80 Hours Continuous Use with 12 Hours Recharge Time	
Interface	RS-232 (Standard) or USB (Option)	
Platter Size	150g ~ 600g: Ø116mm, 1,200g ~ 3,000g: 124mm x 144mm	
Dimensions	200mm(W) x 250mm(D) x 80mm(H)	
Product Weight	1.1kg Net	